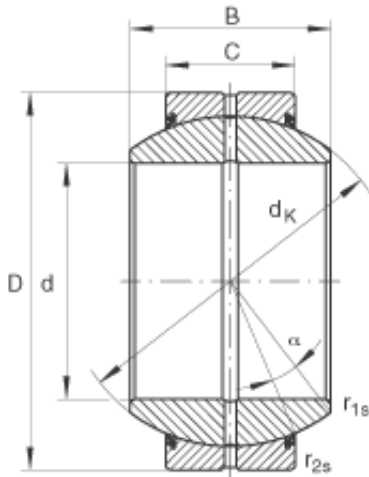




# AMERICAN SKF BEARING MFG.CORP.



## INA GE140-FO-2RS Spherical Plain Bearings

Bearing No. GE140-FO-2RS

GE140-FO-2RS Bearing 2D drawings and 3D CAD models

Size	140x230x130 mm
Bore Diameter	140 mm
Outer Diameter	230 mm
Width	130 mm
C	80 mm
$D_{a\ min}$	191 mm
$d_{a\ max}$	151,9 mm
$d_K$	200 mm
$r_{1s\ min}$	1 mm
$r_{2s\ min}$	1 mm
alf ( ° )	16
Weight (kg)	18,8
$C_r$ (N)	1360000
$C_{Or}$ (N)	6800000
Category	Spherical Plain Bearings - Radial
Inventory	0.0
Manufacturer Name	SCHAEFFLER GROUP
Minimum Buy Quantity	N/A
Weight / Kilogram	22.752
Product Group	B04264
Self Aligning	Yes
Rolling Element	Spherical Plain
Material - Outer Member	Steel
Material - Ball	Steel
Material - Liner	Not Applicable



## AMERICAN SKF BEARING MFG.CORP.

Relubricatable	Yes
Enclosure	2 Seals
Other Features	2 Piece   Single Axial Split in Outer Ring   Wide Inner Ring with Increased Tilting Angle
Long Description	140MM Bore; 80MM Housing Width; 230MM Outside Diameter; Spherical Plain; Steel Outer Member; Steel Ball; No Liner; 130MM Overall Width; Relubricatable
Inch - Metric	Metric
Category	Plain Bearings Spherical Radial
UNSPSC	31171515
Harmonized Tariff Code	8483.30.80.70
Noun	Bearing
Keyword 3	Spherical
Keyword String	Plain Spherical Radial
Manufacturer URL	<a href="http://www.ina.com">http://www.ina.com</a>
Manufacturer Item Number	GE140FO2RS
Weight / LBS	40.793
Overall Width	5.118 Inch   130 Millimeter
Housing Width	3.15 Inch   80 Millimeter
Bore	5.512 Inch   140 Millimeter
Outside Diameter	9.055 Inch   230 Millimeter