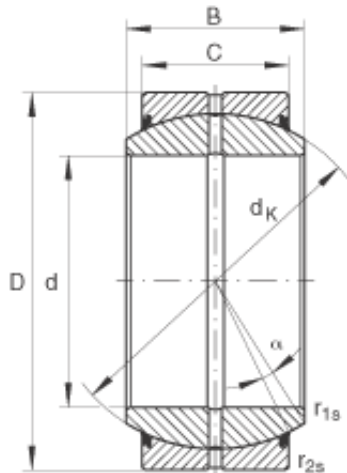




# AMERICAN SKF BEARING MFG.CORP.



## INA GE240-DO-2RS Spherical Plain Bearings

Bearing No. GE240-DO-2RS

GE240-DO-2RS Bearing 2D drawings and 3D CAD models

Size	240x340x140 mm
Bore Diameter	240 mm
Outer Diameter	340 mm
Width	140 mm
C	100 mm
D <sub>a min</sub>	295 mm
d <sub>a max</sub>	265,3 mm
d <sub>K</sub>	300 mm
r <sub>1s min</sub>	1,1 mm
r <sub>2s min</sub>	1,1 mm
alf ( ° )	8
Weight (kg)	39,4
C <sub>r</sub> (N)	2550000
C <sub>0r</sub> (N)	12800000
Category	Spherical Plain Bearings - Radial
Inventory	0.0
Manufacturer Name	SCHAEFFLER GROUP
Minimum Buy Quantity	N/A
Weight / Kilogram	47.223
Product Group	B04264
Self Aligning	Yes
Rolling Element	Spherical Plain
Material - Outer Member	Steel
Material - Ball	Steel
Material - Liner	Not Applicable



## AMERICAN SKF BEARING MFG.CORP.

Relubricatable	Yes
Enclosure	2 Seals
Other Features	2 Piece   Single Axial Split in Outer Ring
Long Description	240MM Bore; 100MM Housing Width; 340MM Outside Diameter; Spherical Plain; Steel Outer Member; Steel Ball; No Liner; 140MM Overall Width; Relubricatable
Inch - Metric	Metric
Category	Plain Bearings Spherical Radial
UNSPSC	31171515
Harmonized Tariff Code	8483.30.80.70
Noun	Bearing
Keyword 3	Spherical
Keyword String	Plain Spherical Radial
Manufacturer URL	<a href="http://www.ina.com">http://www.ina.com</a>
Manufacturer Item Number	GE240DO2RS
Weight / LBS	88.2
Overall Width	5.512 Inch   140 Millimeter
Bore	9.449 Inch   240 Millimeter
Outside Diameter	13.386 Inch   340 Millimeter
Housing Width	3.937 Inch   100 Millimeter