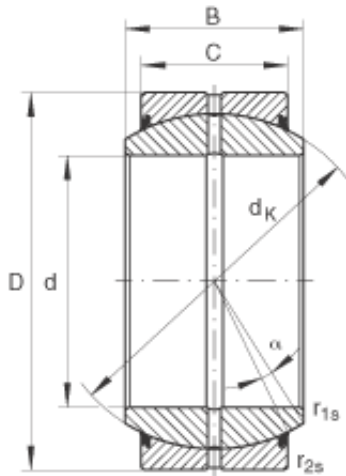




# AMERICAN SKF BEARING MFG.CORP.



GE140-DO-2RS Bearing 2D drawings and 3D CAD models

## INA GE140-DO-2RS Spherical Plain Bearings

Bearing No. GE140-DO-2RS

Size	140x210x90 mm
Bore Diameter	140 mm
Outer Diameter	210 mm
Width	90 mm
C	70 mm
$D_{a \min}$	173 mm
$d_{a \max}$	155,8 mm
$d_K$	180 mm
$r_{1s \min}$	1 mm
$r_{2s \min}$	1 mm
alf ( ° )	7
Weight (kg)	11
$C_r$ (N)	1070000
$C_{Or}$ (N)	5360000
Category	Spherical Plain Bearings - Radial
Inventory	0.0
Manufacturer Name	SCHAEFFLER GROUP
Minimum Buy Quantity	N/A
Weight / Kilogram	13.184
Product Group	B04264
Self Aligning	Yes
Rolling Element	Spherical Plain
Material - Outer Member	Steel
Material - Ball	Steel
Material - Liner	Not Applicable



## AMERICAN SKF BEARING MFG.CORP.

Relubricatable	Yes
Enclosure	2 Seals
Other Features	2 Piece   Single Axial Split in Outer Ring
Long Description	140MM Bore; 70MM Housing Width; 210MM Outside Diameter; Spherical Plain; Steel Outer Member; Steel Ball; No Liner; 90MM Overall Width; Relubricatable
Inch - Metric	Metric
Category	Plain Bearings Spherical Radial
UNSPSC	31171515
Harmonized Tariff Code	8483.30.80.70
Noun	Bearing
Keyword 3	Spherical
Keyword String	Plain Spherical Radial
Manufacturer URL	<a href="http://www.ina.com">http://www.ina.com</a>
Manufacturer Item Number	GE140DO2RS
Weight / LBS	24.26
Housing Width	2.756 Inch   70 Millimeter
Overall Width	3.543 Inch   90 Millimeter
Outside Diameter	8.268 Inch   210 Millimeter
Bore	5.512 Inch   140 Millimeter