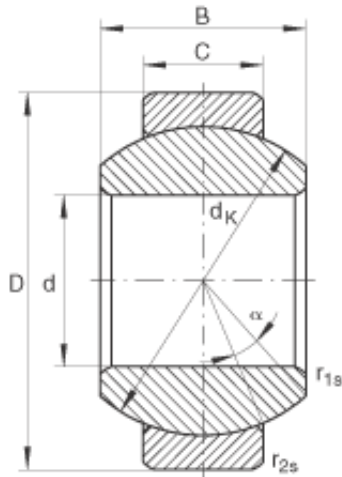




# AMERICAN SKF BEARING MFG.CORP.



GE12-FO Bearing 2D drawings and 3D CAD models

## INA GE12-FO Spherical Plain Bearings

Bearing No. GE12-FO

Size	12x26x15 mm
Bore Diameter	12 mm
Outer Diameter	26 mm
Width	15 mm
C	9 mm
$D_{a \min}$	21 mm
$d_{a \max}$	16 mm
$d_k$	22 mm
$r_{1s \min}$	0,3 mm
$r_{2s \min}$	0,3 mm
alf ( ° )	18
Weight (kg)	0,034
$C_r$ (N)	16900
$C_{Or}$ (N)	84700
Category	Spherical Plain Bearings - Radial
Inventory	0.0
Manufacturer Name	SCHAEFFLER GROUP
Minimum Buy Quantity	N/A
Weight / Kilogram	0.044
Product Group	B04264
Self Aligning	Yes
Rolling Element	Spherical Plain
Material - Outer Member	Steel
Material - Ball	Steel
Material - Liner	Not Applicable



## AMERICAN SKF BEARING MFG.CORP.

Relubricatable	Yes
Enclosure	Open
Other Features	2 Piece   Single Axial Split in Outer Ring   Wide Inner Ring with Increased Tilting Angle
Long Description	12MM Bore; 9MM Housing Width; 26MM Outside Diameter; Spherical Plain; Steel Outer Member; Steel Ball; No Liner; 15MM Overall Width; Relubricatable
Inch - Metric	Metric
Category	Plain Bearings Spherical Radial
UNSPSC	31171515
Harmonized Tariff Code	8483.30.80.70
Noun	Bearing
Keyword 3	Spherical
Keyword String	Plain Spherical Radial
Manufacturer URL	<a href="http://www.ina.com">http://www.ina.com</a>
Manufacturer Item Number	GE12FO
Weight / LBS	0.075
Overall Width	0.591 Inch   15 Millimeter
Housing Width	0.354 Inch   9 Millimeter
Outside Diameter	1.024 Inch   26 Millimeter
Bore	0.472 Inch   12 Millimeter