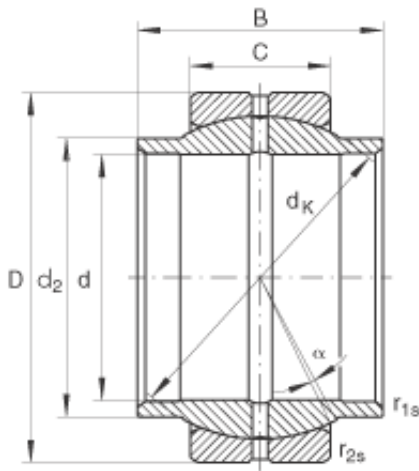




AMERICAN SKF BEARING MFG.CORP.



GE110-LO Bearing 2D drawings and 3D CAD models

INA GE110-LO Spherical Plain Bearings

Bearing No. GE110-LO

Size	110x160x110 mm
Bore Diameter	110 mm
Outer Diameter	160 mm
Width	110 mm
C	55 mm
$D_{a \min}$	134 mm
d_2	124 mm
d_k	140 mm
$r_{1s \min}$	1 mm
$r_{2s \min}$	1 mm
α (°)	4
Weight (kg)	5,5
C_r (N)	655000
C_{Or} (N)	3280000
Category	Spherical Plain Bearings - Radial
Inventory	0.0
Manufacturer Name	SCHAEFFLER GROUP
Minimum Buy Quantity	N/A
Weight / Kilogram	6.706
Product Group	B04264
Self Aligning	Yes
Rolling Element	Spherical Plain
Material - Outer Member	Steel
Material - Ball	Steel
Material - Liner	Not Applicable



AMERICAN SKF BEARING MFG.CORP.

Relubricatable	Yes
Enclosure	Open
Other Features	2 Piece Single Axial Split in Outer Ring Extended Inner Ring on Both Sides
Long Description	110MM Bore; 55MM Housing Width; 160MM Outside Diameter; Spherical Plain; Steel Outer Member; Steel Ball; No Liner; 110MM Overall Width; Relubricatable
Inch - Metric	Metric
Category	Plain Bearings Spherical Radial
UNSPSC	31171515
Harmonized Tariff Code	8483.30.80.70
Noun	Bearing
Keyword 3	Spherical
Keyword String	Plain Spherical Radial
Manufacturer URL	http://www.ina.com
Manufacturer Item Number	GE110LO
Weight / LBS	12.79
Outside Diameter	6.299 Inch 160 Millimeter
Overall Width	4.331 Inch 110 Millimeter
Bore	4.331 Inch 110 Millimeter
Housing Width	2.165 Inch 55 Millimeter