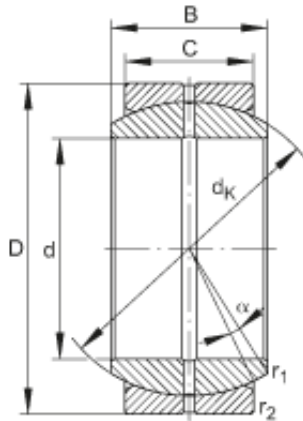




# AMERICAN SKF BEARING MFG.CORP.



## INA GE80-DO Spherical Plain Bearings

Bearing No. GE80-DO

Size	80x120x55 mm
Bore Diameter	80 mm
Outer Diameter	120 mm
Width	55 mm
C	45 mm
$D_{a \min}$	99 mm
$d_{a \max}$	89,4 mm
$d_k$	105 mm
$r_{1s \min}$	1 mm
$r_{2s \min}$	1 mm
alf ( ° )	6
Weight (kg)	2,2
$C_r$ (N)	402000
$C_{0r}$ (N)	2010000
Category	Spherical Plain Bearings - Radial
Inventory	0.0
Manufacturer Name	SCHAEFFLER GROUP
Minimum Buy Quantity	N/A
Weight / Kilogram	2.73
Product Group	B04286
Self Aligning	Yes
Rolling Element	Spherical Plain
Material - Outer Member	Steel
Material - Ball	Steel
Material - Liner	Not Applicable

GE80-DO Bearing 2D drawings and 3D CAD models



## AMERICAN SKF BEARING MFG.CORP.

Relubricatable	Yes
Enclosure	Open
Other Features	2 Piece   Single Axial Split in Outer Ring
Long Description	80MM Bore; 45MM Housing Width; 120MM Outside Diameter; Spherical Plain; Steel Outer Member; Steel Ball; No Liner; 55MM Overall Width; Relubricatable
Inch - Metric	Metric
Category	Plain Bearings Spherical Radial
UNSPSC	31171515
Harmonized Tariff Code	8483.30.80.70
Noun	Bearing
Keyword 3	Spherical
Keyword String	Plain Spherical Radial
Manufacturer URL	<a href="http://www.ina.com">http://www.ina.com</a>
Manufacturer Item Number	GE80DO
Weight / LBS	4.851
Bore	3.15 Inch   80 Millimeter
Outside Diameter	4.724 Inch   120 Millimeter
Housing Width	1.772 Inch   45 Millimeter
Overall Width	2.165 Inch   55 Millimeter